

ROBOTIC ARM ARRO

BLACKCAM[®]
>>ROBOTICS

Light Weight, Modular, Easy to Set Up

35 kg weight

whisper quiet operation

2 m/s max. speed

Payload 10 kg

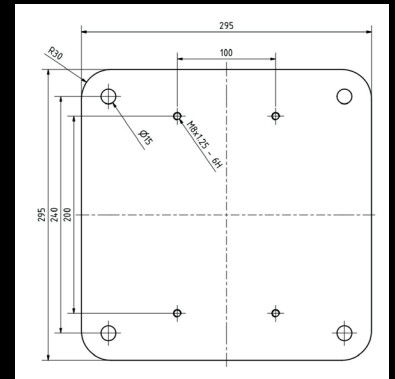
Experience unprecedented freedom in live production with the Blackcam Robotic Arm's modular length and near-silent operation. Effortlessly glide through 3D space, capturing stunning shots during sports, concerts, or shows without any noise distractions.

ROBOTIC ARM ARRO SPECS



GENERAL SPECIFICATIONS

- Total weight: 35 kg
- Payload: 10 kg
- Arm length range modular, easy to swap
- Max. velocity: 180°/s or 2 m/s, depending on modules
- Working area: 540°
- Power consumption: ca. 250 W normally
- Ambient temperature: 0°C to 50°C
- Mounting plate can be customized



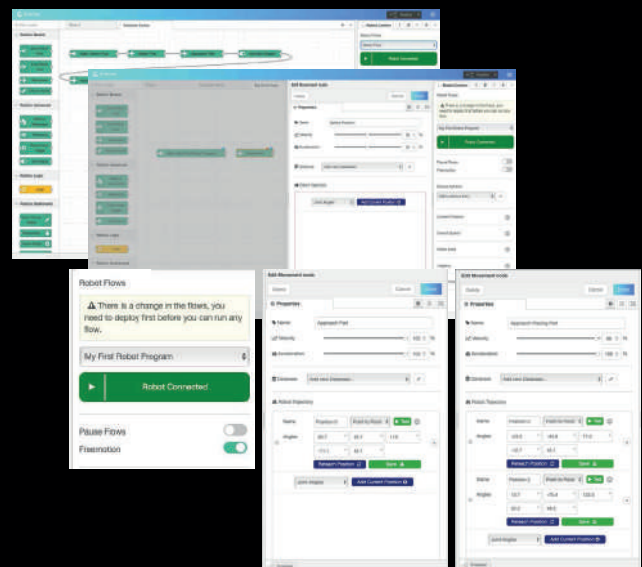
Mounting plate example
29 x 29 cm, 15 mm holes

KEYWORDS

- Light weight
- Modular length
- Easy to setup
- Whisper quiet operation
- Intuitive software
- Robust & future-proof
- Mountable horizontal, vertical or overhead. Standing, hanging or on a wall

SOFTWARE

- Intuitive, graphical creation of program sequences (digital twin, free movement mode)
- Automatic recognition of the robot configuration
- True IoT connectivity allows for cloud-based analytics and interfaces
- Over-the-air services diminishing capital-intensive field service teams
- Downtime protection through predictive maintenance
- Connect to ERP and MES systems



ROBOTIC ARM ARRO DOLLY

ARRO WITH B60 DOLLY & TRACK

The Robotic Arm ARRO is a versatile and adaptable robotic arm that offers a wide range of mounting options. In addition to its compatibility with various camera pedestals, it can also be seamlessly mounted on the B60 Dolly, as well as on tracks. This flexibility allows filmmakers and production teams to capture dynamic and precise shots in multiple settings.

